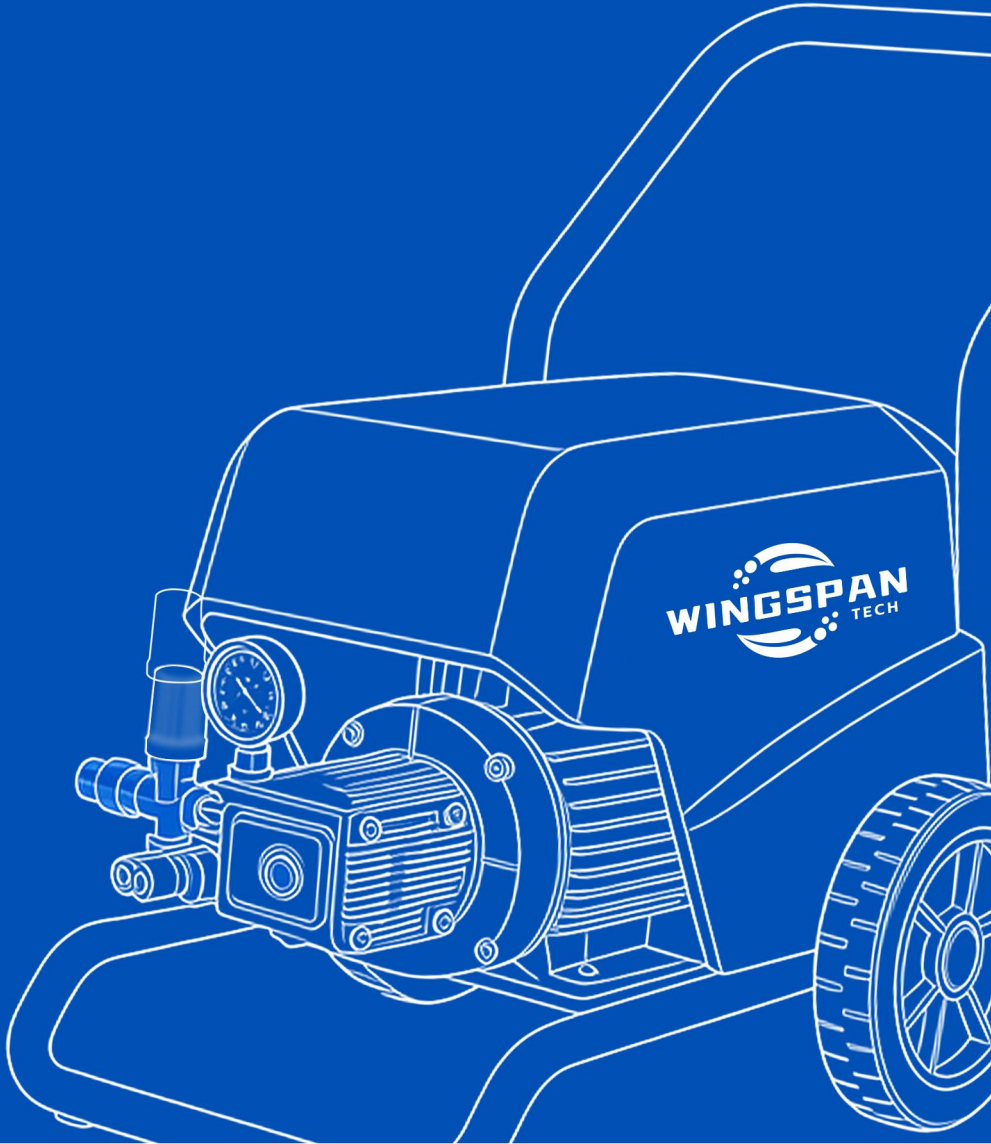


HIGH PRESSURE CLEANER WINGSPAN TECH



*Power in Water Jet, Clean with Care
For Every Industrial Application.*



WINGSPAN TECH TAIZHOU CO.,LTD
Add.:Kangle Park, No. 18, Hongsan Middle Road,
Jiaojiang District,Taizhou City, Zhejiang Province
WHATSAPP&TEL:+8613968669135
INFO@WATERJET.LTD WWW.WATERJET.LTD



Product Parameters



MODEL	E-0710
Maximum Flow	7Lpm/1.84GPM
Maximum Pressure	100bar/1450psi
Pump Head Model	ELS

Pressure Regulating Valve	YES
Autoswitch	NO
Motor Power	1.2kW
Motor Speed	2800rpm
Voltage&Hz	220V/50HZ
Outlet Hose	10m

Inlet	3m
Filter	Double Filter
N.W	10kg

Product Size	42.5*32*28cm
Package Size	45.5*34*30cm



E-0707

COLOUR ● ● ●





J-1
PORTABLE

COLOUR



J-2
WALL-MOUNTED

COLOUR



J-3
WITH HOSE REEL

COLOUR

Product Parameters



MODEL	E-0910	E-0912	E-1210
Maximum Flow	9Lpm/2.3.GPM	9Lpm/2.3GPM	12Lpm/3.1GPM
Maximum Pressure	100bar/1450psi	120bar/1740psi	100bar/1450psi
Pump Head Model	FA	FA	FA
Pressure Regulating Valve	YES	YES	YES
Autoswitch	YES	YES	YES
Motor Power	1.5kW	1.8kW	2kW
Motor Speed	2800rpm	2800rpm	2800rpm
Voltage&Hz	220V/50HZ	220V/50HZ	220V/50HZ
Outlet Hose	10m	10m	10m
Inlet	3m	3m	3m
Filter	Double Filter	Double Filter	Double Filter
N.W	40kg	50kg	50kg
Product Size	63*35*60cm	63*35*70cm	63*35*70cm
Package Size	55*35*50cm	55*35*50cm	55*35*50cm





F-A

COLOUR ● ● ●



F-B

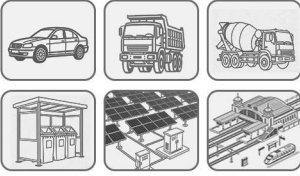
COLOUR ● ● ●

Product Parameters



MODEL	F-1208	E-1210	E-1212
Maximum Flow	12Lpm/3.17GPM	12Lpm/3.17GPM	12Lpm/3.17GPM
Maximum Pressure	80bar/1160psi	100bar/1450psi	120bar/1740psi
Pump Head Model	FA	FA	FA
Pressure Regulating Valve	YES	YES	YES
Autoswitch	YES	YES	YES
Motor Power	1.8kW	2kW	2.2kW
Motor Speed	2800rpm	2800rpm	2800rpm
Voltage&Hz	220V/50HZ	220V/50HZ	220V/50HZ
Outlet Hose	10m	10m	10m
Inlet	3m	3m	3m
Filter	Double Filter	Double Filter	Double Filter
N.W	40kg	45kg	50kg
Product Size	60*45*46cm	60*45*46cm	60*45*46cm
Package Size	69*48*47cm	69*48*47cm	69*48*47cm



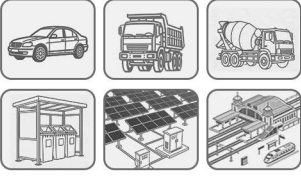


Product Parameters



MODEL	G-1210	G-1214	G-1514
Maximum Flow	12Lpm/3.17GPM	12Lpm/3.17GPM	15Lpm/3.96GPM
Maximum Pressure	100bar/1450psi	140bar/2030psi	140bar/2030psi
Pump Head Model	CB	CB	BC
Pressure Regulating Valve	YES	YES	YES
Autoswitch	YES	YES	YES
Motor Power	2.2kW	3kW	4kW
Motor Speed	1450rpm	1450rpm	1450rpm
Voltage&Hz	220V/50HZ	220V/380V	380V/50HZ
Outlet Hose	10m	10m	10m
Inlet	2m	2m	2m
Filter	Double Filter	Double Filter	Double Filter
N.W	55kg	60kg	65kg
Product Size	95*42*45cm	95*42*45cm	95*42*45cm
Package Size	80*40*42cm	80*40*42cm	80*40*42cm





COLOUR ● ● ●



A



B



C



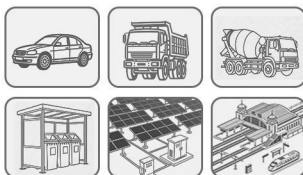
D

Product Parameters



MODEL	1210	1214	1514
Maximum Flow	12Lpm/3.17GPM	12Lpm/3.17GPM	15Lpm/3.96GPM
Maximum Pressure	100bar/1450psi	140bar/2030psi	140bar/2030psi
Pump Head Model	CB	CB	BC
Pressure Regulating Valve	YES	YES	YES
Autoswitch	YES	YES	YES
Motor Power	2.2kW	3kW	4kW
Motor Speed	1450rpm	1450rpm	1450rpm
Voltage&Hz	220V/50HZ	220V/380V	380V/50HZ
Outlet Hose	10m	10m	10m
Inlet	2m	2m	2m
Filter	Double Filter	Double Filter	Double Filter
N.W	55kg	60kg	65kg
Product Size	95*42*45cm	95*42*45cm	95*42*45cm
Package Size	80*40*42cm	80*40*42cm	80*40*42cm





COLOUR ● ● ●



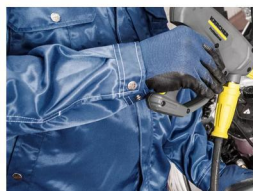
H

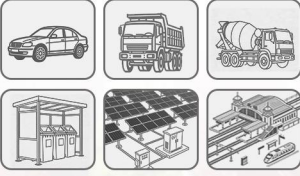


L

Product Parameters

MODEL	1518	1525	L-1535
Maximum Flow	15Lpm/3.96GPM	15Lpm/3.96GPM	15Lpm/3.96GPM
Maximum Pressure	180bar/2610psi	250bar/3625psi	350bar/5075psi
Pump Head Model	AB	AB	AA
Pressure Regulating Valve	YES	YES	YES
Autoswitch	YES	YES	YES
Motor Power	5.5kW	7.5kW	10kW
Motor Speed	1450rpm	1450rpm	1450rpm
Voltage&Hz	380V/50HZ	380V/50HZ	380V/50HZ
Outlet Hose	10m	10m	10m
Inlet	2m	2m	2m
Filter	Three Layer Filter	Three Layer Filter	Three Layer Filter
N.W	77kg	80kg	80kg
Product Size	110*58*74cm	110*58*74cm	110*58*74cm
Package Size	110*49*51cm	110*49*51cm	110*49*51cm



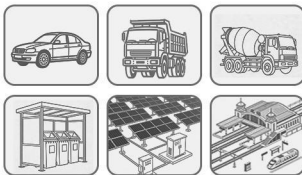


MAX:7.5KW

Product Parameters



MODEL	1210	1214	1514
Maximum Flow	12Lpm/3.17GPM	12Lpm/3.17GPM	15Lpm/3.96GPM
Maximum Pressure	100bar/1450psi	140bar/2030psi	140bar/2030psi
Pump Head Model	CB	CB	BC
Pressure Regulating Valve	YES	YES	YES
Autoswitch	YES	YES	YES
Motor Power	2.2kW	3kW	4kW
Motor Speed	1450rpm	1450rpm	1450rpm
Voltage&Hz	220V/50HZ	220V/380V	380V/50HZ
Outlet Hose	10m	10m	10m
Inlet	2m	2m	2m
Filter	Double Filter	Double Filter	Double Filter
N.W	55kg	60kg	65kg
Product Size	95*42*45cm	95*42*45cm	95*42*45cm
Package Size	80*40*42cm	80*40*42cm	80*40*42cm



MAX:9KW

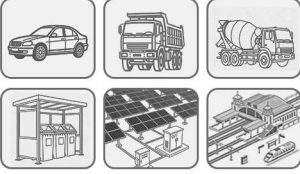


MAX:11KW

Product Parameters



MODEL	1518	1525	1530
Maximum Flow	15Lpm/3.96GPM	15Lpm/3.96GPM	15Lpm/3.96GPM
Maximum Pressure	180bar/2610psi	250bar/3625psi	300bar/4350psi
Pump Head Model	AB	AB	AA
Pressure Regulating Valve	YES	YES	YES
Autoswitch	YES	YES	YES
Motor Power	5.5kW	7.5kW	9kW
Motor Speed	1450rpm	1450rpm	1450rpm
Voltage&Hz	380V/50HZ	380V/50HZ	380V/50HZ
Outlet Hose	10m	10m	10m
Inlet	2m	2m	2m
Filter	Three Layer Filter	Three Layer Filter	Three Layer Filter
N.W	77kg	95kg	110kg
Product Size	110*58*74cm	110*58*74cm	110*58*74cm
Package Size	110*49*51cm	110*49*51cm	110*49*51cm



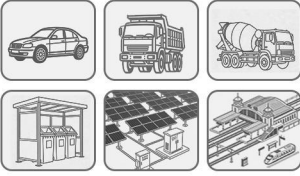
P-1

Product Parameters



MODEL	P-1210	P-1214	P-1514
Maximum Flow	12Lpm/3.17GPM	12Lpm/3.17GPM	15Lpm/3.96GPM
Maximum Pressure	100bar/1450psi	140bar/2030psi	140bar/2030psi
Pump Head Model	CB	CB	BC
Pressure Regulating Valve	YES	YES	YES
Autoswitch	YES	YES	YES
Motor Power	2.2kW	3kW	4kW
Motor Speed	1450rpm	1450rpm	1450rpm
Voltage&Hz	220V/50HZ	220V/380V	380V
Outlet Hose	10m	10m	10m
Inlet	2m	2m	2m
Filter	Double Filter	Double Filter	Double Filter
N.W	55kg	60kg	65kg
Product Size	95*42*45cm	95*42*45cm	95*42*45cm
Package Size	80*40*42cm	80*40*42cm	80*40*42cm





COLOUR ● ● ●



A



B



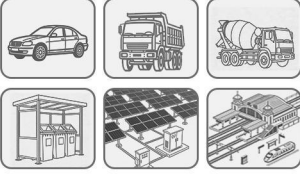
C

Product Parameters



MODEL	1210	1214	1514
Maximum Flow	12Lpm/3.17GPM	12Lpm/3.17GPM	15Lpm/3.96GPM
Maximum Pressure	100bar/1450psi	140bar/2030psi	140bar/2030psi
Pump Head Model	CB	CB	BC
Pressure Regulating Valve	YES	YES	YES
Autoswitch	YES	YES	YES
Motor Power	2.2kW	3kW	4kW
Motor Speed	1450rpm	1450rpm	1450rpm
Voltage&Hz	220V/50HZ	220V/380V	380V
Outlet Hose	10m	10m	10m
Inlet	2m	2m	2m
Filter	Double Filter	Double Filter	Double Filter
N.W	55kg	60kg	65kg
Product Size	95*42*45cm	95*42*45cm	95*42*45cm
Package Size	80*40*42cm	80*40*42cm	80*40*42cm





**WALL-MOUNTED
STAINLESS STEEL**



P-2

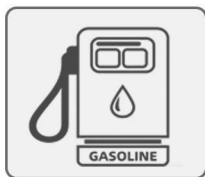


P-3

Product Parameters



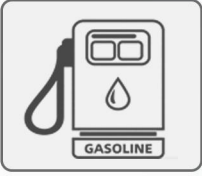
MODEL	P-1520	P-1525B3
Maximum Flow	15LPM/3.96GPM	15LPM/3.96GPM
Maximum Pressure	200bar/2900psi	250bar/3600psi
Pump Model	DB1518	DB1525
Pump Head Material	Brass	Brass
Regulator	With	With
Autoswitch	YES	YES
Motor Power	5.5kW/7.5hp	7.5kW/10hp
Motor Speed	1450rpm	1450rpm
Voltage&HZ	380V/50HZ	380V/50HZ
Hose & Lenth	10m	10m
nlet	3m	3m
Filter	YES	YES
Gun&lance	/	/
Nozzle Tips	2 nozzles	2 nozzles
Net Weight	60kg	65kg
Product Size	600*390*450mm	600*390*450mm



Product Parameters

MODEL	U-1515
Maximum Flow	15Lpm/3.96GPM
Maximum Pressure	150bar/2175psi
Pump Head Model	CA
Pressure Regulating Valve	YES
Motor Power	6.5hp
Motor Speed	3400rpm
Power Source	Gas
Outlet Hose	10m
Inlet	2m
Filter	Double Filter
High Pressure Gun	Short Gun
Nozzle Tips	4 QD Nozzles
N.W	45kg
Product Size	69*57*53cm
Package Size	70*60*55cm





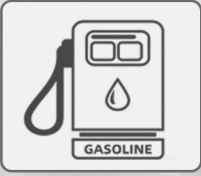
U-2
MAX:2900psi

U-3
MAX:3600psi

Product Parameters



MODEL	U-1220	U-1825
Maximum Flow	12Lpm/3.17GPM	18Lpm/4.75GPM
Maximum Pressure	200bar/2900psi	250bar/3625psi
Pump Head Model	CA	CA
Pressure Regulating Valve	YES	YES
Motor Power	7.5hp	13hp
Motor Speed	3400rpm	3400rpm
Power Source	Gas	Gas
Outlet Hose	10m	10m
Inlet	2m	2m
Filter	Double Filter	Double Filter
High Pressure Gun	Long Gun	Long Gun
Nozzle Tips	4 QD Nozzles	4 QD Nozzles
N.W	45kg	105kg
Product Size	55*30*30cm	90*85*98cm
Package Size	76*46*57cm	87*78*90cm



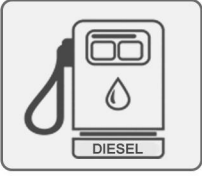
U-4
MAX:5075psi

U-5
MAX:7250psi

Product Parameters



MODEL	U-2235	U-1650
Maximum Flow	22Lpm/5.8GPM	16Lpm/4.2GPM
Maximum Pressure	350bar/5075psi	500bar/7250psi
Pump Head Model	CA	DSP
Pressure Regulating Valve	YES	YES
Motor Power	22hp	22hp
Motor Speed	3400rpm	3400rpm
Power Source	Gas	Gas
Outlet Hose	10m	10m
Inlet	2m	2m
Filter	Double Filter	Double Filter
High Pressure Gun	Long Gun	Long Gun
Nozzle Tips	4 QD Nozzles	4 QD Nozzles
N.W	105kg	170kg
Product Size	90*85*98cm	90*85*98cm
Package Size	87*78*90cm	87*78*90cm



T-1



T-2



T-3

Product Parameters



MODEL	1520+	1825	3015	2280
Maximum Flow	18Lpm/4.8GPM	18Lpm/4.8GPM	30Lpm/7.9GPM	22Lpm/5.8GPM
Maximum Pressure	200bar/2900psi	250bar/3600psi	150bar/2100psi	800bar/11600psi
Pump Head Model	CA	AG	TK	DSPEP
Pressure Regulating Valve	YES	YES	YE	YE
Autoswitch	NONE	NONE	NONE	NONE
Motor Power	173/4hp	188/7hp	192/9hp	K4100ZD/43kW
Motor Speed	3600rpm	3600rpm	3600rpm	1500rpm
Fuel	Diesel	Diesel	Diesel	Diesel/50hp
Outlet Hose	10m	10m	10m	10m
Inlet	3m	3m	3m	3m
Filter	Double Filter	Double Filter	Double Filter	With
High Pressure Gun	Long Gun	Long Gun	Long Gun	1000bar Long Gun
Nozzle Tips	4QD Nozzles	4QD Nozzles	4QD Nozzles	4QD Nozzles
N.W.	23.8kg	26kg	28kg	1000kg
Product Size	/	/	/	/
Package Size	69*57.5*53.5cm	81*63*66cm	81*63*66cm	1780*1400*1700mm



S-1



S-2

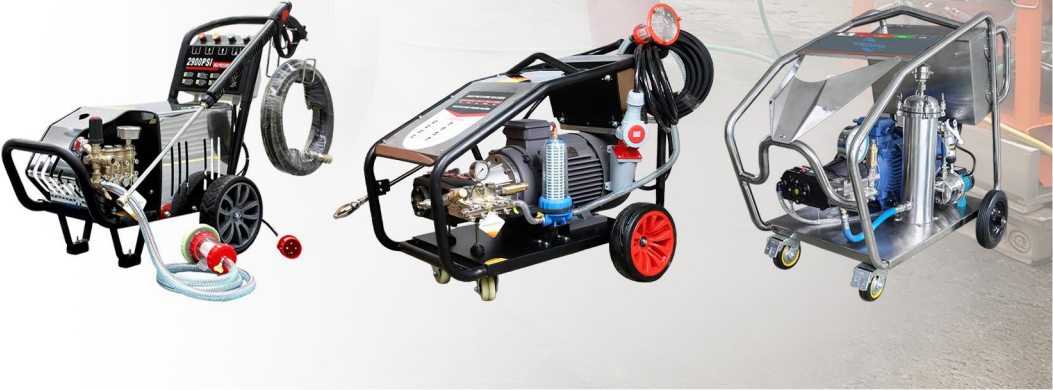


S-3

Product Parameters



MODEL	4020	5215	7210	1110
Maximum Flow	40Lpm/10.5GPM	52Lpm/13.7GPM	72Lpm/19GPM	110Lpm/29GPM
Maximum Pressure	200bar/2900psi	150bar/2175psi	100Bar/1450psi	100bar/1450psi
Pump Head Model	DS	DS	DS	PT
Pressure Regulating Valve	YES	YES	YE	YE
Autoswitch	NONE	NONE	NONE	NONE
Motor Power	22hp	22hp	22hp	35hp
Motor Speed	3600rpm	3600rpm	3600rpm	3600rpm
Fuel	Gasoline	Gasoline	Gasoline	Gasoline
Outlet Hose	30m	30m	30m	30m
Inlet	/	3m	3m	3m
Filter	Double Filter	Double Filter	Double Filter	Double Filter
High Pressure Gun	/	/	/	/
Nozzle Tips	4QD Nozzles	4QD Nozzles	4QD Nozzles	Rotating Nozzles
N.W.	350kg	350kg	380kg	380kg
Product Size	1180*900*1170mm	1180*900*1170mm	148*92*126cm	148*92*126cm
Package Size	1180*900*1170mm	1180*900*1170mm	1780*1400*1700mm	1780*1400*1700mm



Product Parameters



MODEL	SHARK200	SHARK500	SHARK800
Maximum Flow	15Lpm/4.8GPM	22Lpm/5.8GPM	22Lpm/5.8GPM
Maximum Pressure	200bar/2900psi	500bar/7250psi	800bar/11600psi
Pump Head Model	BC	DSP	DSPEP
Pressure Regulating Valve	YES	YES	YES
Autoswitch	YES	NONE	NONE
Motor Power	5.5KW/440V/60HZ	30hp	47hp
Motor Speed	1740rpm	1740rpm	1740rpm
Fuel	Electric	Electric	Electric
Outlet Hose	15m	15m	15m
Inlet	3m	3m	3m
Filter	Double Filter	Double Filter	Double Filter
High Pressure Gun	/	/	/
Nozzle Tips	4QD Nozzles	4QD Nozzles	4QD Nozzles
N.W.	95kg	320kg	380kg
Product Size	/	/	/
Package Size	/	/	/



- safety valve*1** Overpressure Protection
- Regulator*1** adjustable pressure
- pressure gauge*1** stainless steel rack
- pressure hose*20m** Stainless steel pump head
- spray gun*1-100cm** shutdown gun pressure relief
- spray nozzles*4tips** Rotary sprinklers can be optionally installed
- water filter*1** Reusable and washable

Product Parameters

	WJ22800U	WJ18100U
Model Number	WJ22800U	WJ18100U
Maximum Flow	22Lpm/5.8GPM	18Lpm/4.76GPM
Maximum Pressure	800bar/11600psi	1000bar/14500psi
Pump Model	DSPEP	GT114
Pump Head Material	Stainless steel	Stainless steel
Regulator	VS800	JB15000
Autoswitch	None	None
Motor Power	35kW	37kW
Motor Speed	1450/1740rpm	1450/1740rpm
Voltage&HZ	380V/50HZ-440V/60HZ	380V/50HZ-440V/60HZ
Hose & Length	15m	15m
Inlet	5m	5m
Filter	Full system	Full system
Gun&lance	1500bar Bypass Spray Gun	1500bar Bypass Spray Gun
Nozzle Tips	Four tips	Four tips
Net Weight	450kg	450kg
Water Tank	70L	70L
Net Weight	500kg	500kg
Shipping Size	1250*900*1150mm	1250*900*1150mm



V-1

Product Parameters



MODEL	POWER	VOLTAGE	SPEED	MAX.PRESSURE		Flow	
	kW			rpm	bar	psi	L /min
HWP200-15	5.5	415	1450	200	2900	15	4
HWP250-15	7.5	415	1450	250	3625	15	4
HWP200-21	7.5	415	1450	200	2900	21	5.5
HWP300-18	11	415	1450	300	4350	18	4.7

Features include

24V Safety Controls	3 Ceramic Pistons + Brass Pump Head
Quick-Release Inlet & Outlet	Industrial Switches Easy Operation
Pressure-Adjustable Function	Alarm Indicator Light
Heavy-Duty Solid Wheels	Auto Shutdown
Performance-Validated Motor	Low oil protection Multi-safety devices



V-2



Product Parameters

Model	D250-15	D200-15	D150-13
Rated pressure	3600psi/250bar	2900psi/200bar	2200psi/150bar
Flow	900L/h~4GPM	900L/h~4GPM	780L/h~3.43GPM
Power/Speed	7.5kW/1450rpm	5.5kW/1450rpm	3kW/1450rpm
Voltage/Frequency	380V/50HZ	380V/50HZ	220V/50HZ
Thermal power	58000kcal/h	58000kcal/h	58000kcal/h
Fuel	Diesl oil	Diesl oil	Diesl oil
Output temperature	0-100°C	0-100°C	0-100°C
External dimensions	120*72*91cm	120*72*91cm	120*72*91cm





V-3

Product Parameters



Model	D350-15	D280-18	D500-15
Rated pressure	5100psi/350bar	4060psi/280bar	7250psi/500bar
Flow	900L/h~4GPM	1080L/h~4.75GPM	900L/h~4GPM
Power/Speed	11kW/1450rpm	11kW/1450rpm	15kW/1450rpm
Voltage/Frequency	380V/50HZ	380V/50HZ	380V/50HZ
Thermal power	68000 kcal/h	68000 kcal/h	68000 kcal/h
Fuel	Diesel oil	Diesel oil	Diesel oil
Output temperature	0-100°C	0-100°C	0-100°C
External dimensions	130*82*108cm	130*82*108cm	130*82*108cm



V-4



V-4

Product Parameters



Model	D250-15-CY	D250-15-QY
Rated pressure	3600psi/250bar	3600psi/250bar
Folw	900L/h~4GPM	900L/h~4GPM
Power/Speed	8.6kW-11.7hp	8.8kW-12hp
Voltage/Frequecy	Diesl	Gasoline
Thermal power	58000 kcal/h	58000 kcal/h
Fuel	Diesl oil	Diesl oil
Output temperature	0-100°C	0-100°C
External dimensions	106*86*112cm	106*86*112cm

One Touch Series 180Bar

M404



M4 3/8 Rotary D Self-locking Union

M403



M4 Regulated Pressure Gun

M405



M4 3/8 Adjustable C Stainless Steel Union

M402 180Bar



M4 3/8 Rotary A (B +40) Union Joint

One Touch Series 380Bar

M701



Water Cube #3/8 Activity D Self-locking Coupling - Red

M701



Water Cube # Quick Insert D Self-locking Coupling - Blue

M701



Water Cube #3/8 Event D Stainless Steel Union - Gray

M801



M8 Bearing D Union

8303 500Bar



No. 8 3/8 internal wire rotary C live joint

10A01 500Bar



500kg Water gun

10A02 550Bar



500kg Water gun

8301 550Bar



500kg Water gun

F201 180Bar



F2#3/8 internal thread rotating C union

F202 180Bar



F2#3/8 Internal Thread Rotating A (B+40) Union

F203 180Bar



F2#3/8 Internal Thread Adjustable Gun Handle

F204 180Bar



F2 3/8" Female Thread D-Type Union

F205 180Bar



F2 3/8" Female Thread Swivel B-Type Union

F301 280Bar



F3# 22x1.5 internal 14D gun handle

F302 280Bar



F3# 3/8" Female Thread Swivel A-Type (8+40) Union

F206 180Bar



F2# 3/8" Female Thread A-Type Flared Integrated Connector

F303 280Bar



F3# 3/8" Female Thread Swivel A-Type Flared Integrated Connector

1



22*1.5

2



Swivel Fitting
22*1.2

3



Quick disconnect
3/8

4



3/8

Max. 300bar

Ceramic Plungert



Product Details



Technical parameters

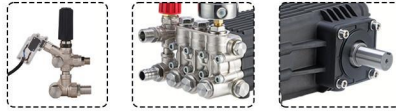
Model	Working Pressure		Flow Rate L/MIN	Power		Voltage V	Speed RPM	G.W. KG	Inlet	Outlet	Crank bore MM	Shaft diameter MM
	Bar	PSI		KW	HP							
AC1814	300	4350	15	10.0	14.0	380	1450	11	3/4"	3/8"	18	28
AC2012	250	3625	16	7.5	10.0	380	1450	11	3/4"	3/8"	20	28
AC2014	250	3625	20	10.5	14.0	380	1450	11	3/4"	3/8"	20	28
AC2012	200	2900	20	7.5	10.0	380	1450	11	3/4"	3/8"	22	28
AC2014	200	2900	23	10.5	14.0	380	1450	11	3/4"	3/8"	22	28

Max. 300bar

Ceramic Plunger



Product Details



Technical parameters

Model	Working Pressure		Flow Rate L/MIN	Power		Voltage V	Speed RPM	G.W. KG	Inlet	Outlet	Crank bore MM	Shaft diameter MM
	Bar	PSI		KW	HP							
AE1814	250	3600	15	7.5	10.0	380	1450	11	3/4"	3/8"	18	24
AE1814	300	4350	15	10.5	14.0	380	1450	11	3/4"	3/8"	18	24

Max. 250bar

Ceramic Plunger



Product Details



Technical parameters

Model	Working Pressure		Flow Rate L/MIN	Power		Voltage V	Speed RPM	G.W. KG	Inlet	Outlet	Crank bore MM	Shaft diameter MM
	Bar	PSI		KW	HP							
BC1812	200	2900	14	4.0	5.5	380	1450	9	3/4"	3/8"	18	28
BC1814	250	3625	15	7.5	10.0	380	1450	9	3/4"	3/8"	18	28



Max. 250bar Ceramic Plungert

Product Details



Technical parameters

Model	Working Pressure		Flow Rate	Power		Voltage	Speed	G.W.	Inlet	Outlet	Crank bore	Shaft diameter
	Bar	PSI	L/MIN	KW	HP	V	RPM					
BD1812	200	2900	14	4.0	5.5	380	1450	9	3/4"	3/8"	18	24
BD1812	250	3625	15	7.5	10.0	380	1450	9	3/4"	3/8"	18	24



Max. 120bar & 2800rpm Ceramic Plungert

Product Details



Technical parameters

Model	Working Pressure		Flow Rate	Power		Voltage	Speed	G.W.	Inlet	Outlet	Crank bore	Shaft diameter
	Bar	PSI	L/MIN	KW	HP	V	RPM					
FA1409	100	1450	11	2.0	2.6	220	2800	4.5	3/4"	3/8"	14	19



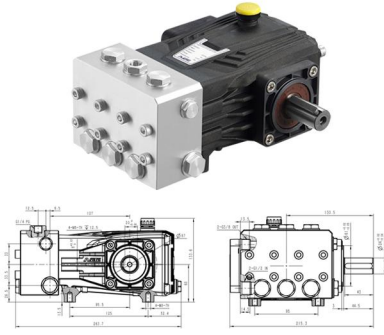
Max. 180bar 1450-2800rpm Ceramic Plunger

Product Details



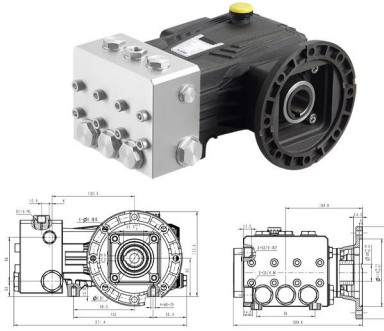
Technical parameters

	Working Pressure		Flow Rate	Power		Voltage	Speed	G.W.	Inlet	Outlet	Crank bore	Shaft diameter
	Bar	PSI	L/MIN	KW	HP	V	RPM					
CB1806	100	1450	14	2.2	3.0	220	2800	8	3/4"	3/8"	18	24
CB1812	100	1450	14	2.2	3.0	220	1450	8	3/4"	3/8"	18	24



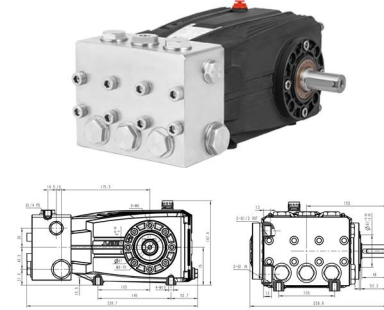
1450rpm N轴 Φ24mm 2205/304 不锈钢耐腐蚀泵

型号	流量		压力		功率		转速	柱塞直径	行程
Model	L/min	GPM	bar	psi	HP	kw	rpm	mm	mm
JPCF1120-N24	11	2.9	200	2900	5.7	4.2	1450	18	10
JPCF1520-N24	15	4	200	2900	7.8	5.7	1450	18	14
JPCF1920-N24	19	5	200	2900	9.8	7.2	1450	20	14
JPCF2315-N24	23	6.1	150	2175	8.9	6.6	1450	22	14
JPCS1135-N24	11	2.9	350	5075	10.0	7.3	1450	18	10
JPCS1535-N24	15	4	350	5075	13.6	10.0	1450	18	14
JPCS1935-N24	19	5	350	5075	17.2	12.7	1450	20	14
JPCS2330-N24	23	6.1	300	4350	17.9	13.1	1450	22	14



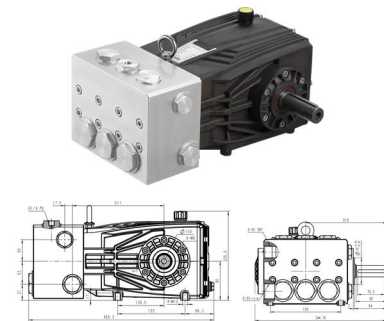
1450rpm C轴 Φ28mm 2205/304 不锈钢耐腐蚀泵

型号	流量		压力		功率		转速	柱塞直径	行程
Model	L/min	GPM	bar	psi	HP	kw	rpm	mm	mm
JPCF3010-C28	30	7.9	100	1450	7.8	5.7	1450	25	14
JPCF3510-C28	35	9.25	100	1450	9.1	6.7	1450	25	16.5
JPCS3510-C28	30	7.9	100	1450	7.8	5.7	1450	25	14
JPCS3510-C28	35	9.25	100	1450	9.1	6.7	1450	25	16.5



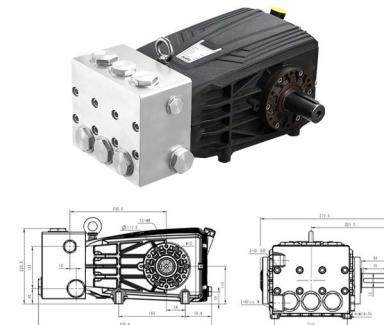
1450rpm N轴 Φ24mm 2205/304 不锈钢耐腐蚀泵

型号	流量		压力		功率		转速	柱塞直径	行程
Model	L/min	GPM	bar	psi	HP	kw	rpm	mm	mm
JPDF3525	35	9.2	250	3625	22.7	16.7	1450	22	21
JPDF4010	40	10.6	100	1450	10.4	7.6	1450	28	15
JPDF5610	56	14.8	200	1450	14.5	10.7	1450	28	14
JPDF7310	73	19.3	100	1450	18.1	13.3	1450	32	14
JPD54020	40	10.6	200	2900	20.7	15.2	1450	28	10
JPD55615	56	14.8	150	2175	21.8	16.0	1450	28	21
JPD57310	73	19.3	100	1450	18.9	13.9	1450	32	21



2205/304 不锈钢耐腐蚀泵

型号	流量		压力		功率		转速	柱塞直径	行程
Model	L/min	GPM	bar	psi	HP	kw	rpm	mm	mm
JPEF32	96	25.4	100	1450	44.8	18.3	1450	32	27.5
JPEF36	121	32	100	1450	31.4	23.0	1450	36	27.5
JPEF40	150	39.6	100	1450	38.9	28.6	1450	40	27.5
JPE532	96	25.4	180	2610	44.8	32.9	1450	32	27.5
JPE536	121	32	130	1885	40.8	30.0	1450	36	27.5
JPE540	150	39.6	100	1450	38.9	28.6	1450	40	27.5



2205/304 不锈钢耐腐蚀泵

型号	流量		压力		功率		转速	柱塞直径	行程
Model	L/min	GPM	bar	psi	HP	kw	rpm	mm	mm
JPEF32	120	31.7	100	1450	31.1	22.9	1000	32	50
JPEF36	152	40.1	100	1450	39.4	29.0	1000	36	50
JPEF40	188	49.6	100	1450	48.7	35.8	1000	40	50
JPE532	120	31.7	160	2320	49.8	36.6	1000	32	50
JPE536	152	40.1	130	1885	51.2	37.6	1000	36	50
JPE540	188	49.6	100	1595	53.6	39.4	1000	40	50

10B01



Pump Motor Unit

P221



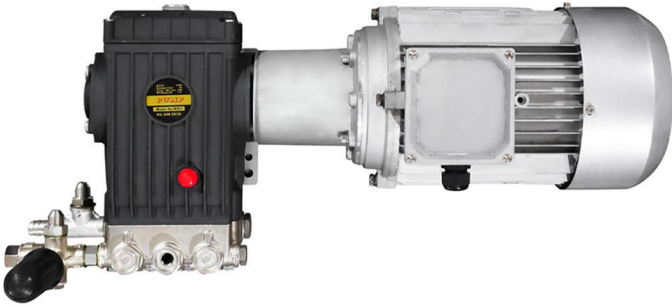
Pumpmotor

10B03

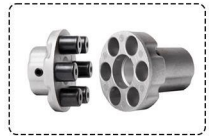


Pumpmotor

Machine disassembly



Flange



Coupling



Pump



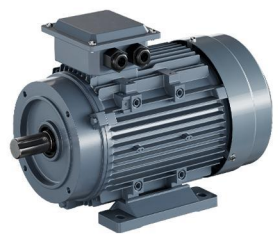
Motor



0.75-3.7kw
Single Phase



4-7.5kw
Female Shaft 3PH



4-22kw
Male Shaft 3PH

Spray Nozzles

10B01



800Bar Rotating nozzle

P221



500Bar Wet Sandblasting
Kit Rotating nozzle

10B03



Wet Sandblasting Kit

Rotating Nozzles

P225



Lotus straight cylinder rotary sprayer # black Rotary Nozzle

P220



Lotus Straight Barrel Rotary Nozzle #Gray

P226



Large Lotus Straight Barrel Rotary Nozzle #Blue

P226



Large Lotus Straight Barrel Rotary Nozzle #red

Nozzle Tips

P251



P252



P253



P254



P255



P256



P257



P258



High Pressure Hose

A 350Bar



B 250Bar



C 600Bar



D 900Bar



Regulating ASSY



Outlet Water ASSY



INT Regulator



INT Regulator



EXT Regulator

500bar



SVT60B(1/2)



VR60A



SVT60B(1/2)

800bar



VHP60(316)

Inlet Water Filter



Self-Priming



Suspended



Fixed



Fixed



SS304 Submersible

100-350bar Repair Parts Kits



1500bar Repair Parts Kits



Foam Sprayer & Lance ASSY



Quick connect Series

Foam Cannon

S123



High Pressure Pipe Series

S123-7



High Pressure Pipe Series

S137



High Pressure Pipe Series

S132



High Pressure Pipe Series



